



SteriEasy



FOR YOUR INFORMATION

FUNCTIONS OF THE STEAM STERILISER

With this device you can sterilise with hot steam the equipment you use to feed your baby, as well as small toys, that can be boiled in accordance with manufacturer guidelines. The device is intended for all commercially available baby bottles.

The device has the following functions:

- 6-minute sterilization (once water boils)
- Keeps items placed in the unopened device sterile for up to 24 hours

The device is intended for use in the domestic/private environment only, not in commercial situations.

SAFETY TIPS

WARNING

- During the warming process, the water becomes hot (risk of scalding).
- Keep packaging material away from children (risk of suffocation).
- Do not remove the lid during the sterilisation process (risk of scalding).
- Do not touch the device or the lid during the sterilisation process.
- Never open the steriliser before the process is completed; the items are not yet sterilised.
- Allow the device to cool down before changing the setting, removing parts from, transporting or cleaning the device (risk of scalding).
- Keep small parts out of reach of children.
- Make sure that cables are not accessible to children.
- The device must only be used on a mains socket with a residual-current protective device (risk of electric shock).
- Unplug the mains cable after each usage and before any cleaning (risk of electric shock).
- Pull the mains part plug out of the socket in the case of operational faults, before cleaning and when the device is not in use.

! IMPORTANT

TO AVOID DAMAGE TO THE DEVICE, PLEASE OBSERVE THE FOLLOWING:

- Fill the device with water before switching it on.
- Do not operate the device outside.
- The device must only be used on an AC network and with the voltage specified on the type plate.
- Unwind the mains cable fully in order to avoid overheating.

- Keep the mains cable away from hot surfaces.
- Do not remove the mains plug from the socket by pulling on the cable!
- Do not pull, twist or bend the mains cable.
- Never submerge the device in water. Never rinse it in running water.
- Do not use any additional parts that are not recommended by the manufacturer or offered as accessories.

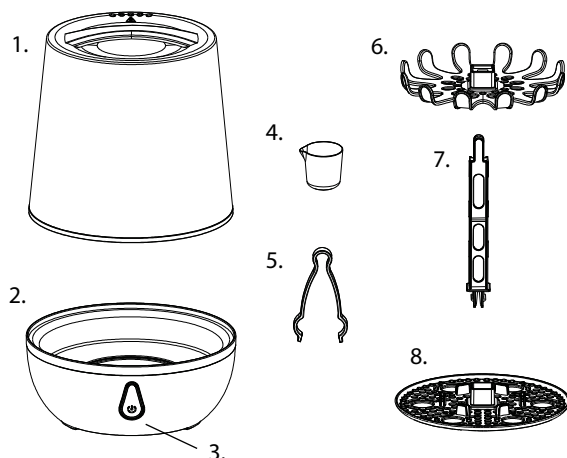
! GENERAL ADVICE

- Repairs must only be carried out by Customer Services or authorised suppliers. Do not open or repair the device yourself under any circumstances, otherwise its perfect functioning is no longer guaranteed. Failure to observe this will invalidate the warranty.
- If you should have any questions about using our devices, please contact either your retailer or customer services.

DEVICE DESCRIPTION

PARTS

1. Cover with steam outlet
2. Sterilisation base with heating plate
3. Analogue button
4. Measuring cup (120ml)
5. Gripping tongs
6. Upper rack for small parts
7. Central frame
8. Lower rack for bottles



INITIAL USE

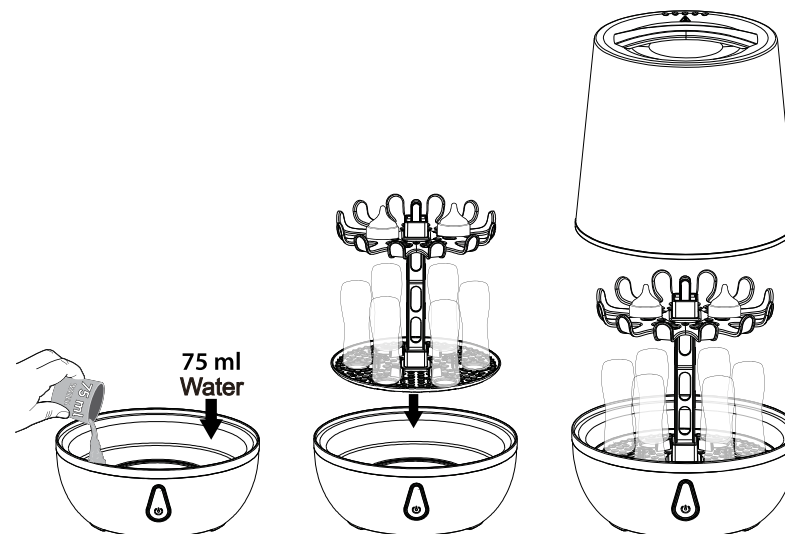
1. Before use, ensure that the device and accessories (including mains cable) do not have any visible damage.
2. Place the device on a firm, level surface.
3. Put all the included parts of the steriliser together:
 - Insert the central frame into the designated opening on the lower rack for bottles.
 - Turn the central frame clockwise until it clicks into place.
 - Put the upper rack for small parts on the central frame, until they are resting flat.
4. Plug the mains plug into a socket.

Before using for the first time, let the sterilisation process run once without any parts to be sterilised. For this, follow the steps in the 'Operation' section.

- ! If you would like to use the device immediately after the empty process, allow it to cool for at least 20 minutes after draining the residual water. The same applies to numerous consecutive uses.

OPERATION

1. Clean the parts that are to be sterilised with mild washing up liquid or in the dishwasher. Disassemble any assembled parts.
2. Measure 75 ml distilled or tap water and pour it into the sterilisation container.
3. Now place the bottles into the lower rack for bottles with the opening pointing downwards and place the teats or other small parts in the upper rack for small parts.
4. Place the lower rack for bottles and the upper rack for small parts into the sterilisation container.
5. Then put the lid on the device.
6. Plug the mains plug into a socket and press the physical on and off switch at the back.
7. Press the button and the indicator light will turn on.
8. When the water runs out, the indicator light will turn off and the device will stop working. The total sterilisation time will be approximately 8mins.
9. After a cooling down period of at least 5 minutes, carefully open the lid and remove the sterilised parts using the gripping tongs. Shake the parts to remove any excess water. **Drain the residual water and dry the sterilizer with a cloth.**



CLEANING AND MAINTENANCE

The service life of the device depends on careful use:

- Use distilled or tap water for the sterilisation.
- Unplug the device before cleaning.
- To clean the device, use only a damp cloth. Do not use any scouring agents or other cleaning products.
- Descale the device using vinegar or citric acid. Mix 50 ml white vinegar with 100 ml cold water or a

packet of citric acid with 200 ml cold water and pour the solution into the device. Leave the solution to work until the lime scale has been removed; do not operate the device during this time. Pour the liquid away, rinse the device out thoroughly and finally dry it with a cloth.

- Descale the device approx. every four weeks.

DISPOSAL



For environmental reasons, do not dispose of the device in the household waste at the end of its useful life. Dispose of the unit at a suitable local collection or recycling point.

Dispose of the device in accordance with EC Directive – WEEE (Waste Electrical and Electronic Equipment). If you have any questions, please contact the local authorities responsible for waste disposal.

TECHNICAL DATA

SUPPLY VOLTAGE 220 - 240 V ~ / 50/60 HZ
 OUTPUT 500 watts

WHAT IF THERE ARE PROBLEMS?

FAULT	CAUSE	ACTION
The device does not switch on after the cable is plugged in.	No electricity	Check that the plug is properly plugged in. And check the switch on the back is on.
The device switches itself off after the warming up phase.	No water in the steriliser	Unplug the device, allow it to cool down, then fill it with 75 ml water and start as described in the instructions.
The device switches itself off in a short time when it start the sterilizing process.	Too little water in the steriliser	

WARRANTY - TERMS AND CONDITIONS

This product benefits of a warranty of 24 months on material and manufacturing defects, starting from the date of purchase (see sales slip). The warranty of 24 months does not include damages caused by the usual use of parties identified as “consumable” (e.g. batteries, brush heads or parts subject to usury).

The legal guarantee of 24 months is void if: • The product has undergone aesthetic damage due to improper use not in accordance with instructions in the manual. • This product has been modified and / or tampered with. • The cause of the failure was due to poor maintenance of the individual components and / or accessories and / or supplies (e.g. oxidation and / or scaling due to the retention of water or other liquids, sediment blocking the sensor, leak of corrosive liquid from batteries.)

The following is excluded from the legal guarantee of 24 months: • Costs related to replacements and / or repair of parts subject to wear or costs for ordinary maintenance of the product. • The costs and risks involved in transporting the product to and from the store where you purchased or otherwise authorized collection centre to receive the products under warranty. • Damage caused by or resulting from improper installation or improper use not in accordance with the directions in the instruction manual. • Damage due to natural disasters, accidental events or adverse conditions not compatible with the product. • Defects that have a negligible effect on product performance.

The manufacturer, distributor and all the parties involved in the sale do not assume any liability for losses and economic damage from any malfunction of the product. In accordance with current regulations the manufacturer, distributor and all the parties involved in the sale are not responding in any case for damages, including direct, indirect ones, loss of net income, loss of savings and additional damage and other details consequences going beyond the damage caused by the breach of warranty, contract, strict liability, wrongdoing or due to other causes, resulting from the use or inability to use the product and/or paper and electronic documents, including the lack of service.

For further information on the help service visit the website www.nuvitababy.com