



- IT** Scaldabiberon digitale
- ES** Calienta biberones digitale
- EN** Digital bottle warmer
- FR** Chauffe-biberon numérique
- DE** Digitaler Flaschenwärmer
- PT** Aquecedor de biberões digital
- GR** Ψηφιακός θερμαντήρας  
βρεφικών μπιμπερο



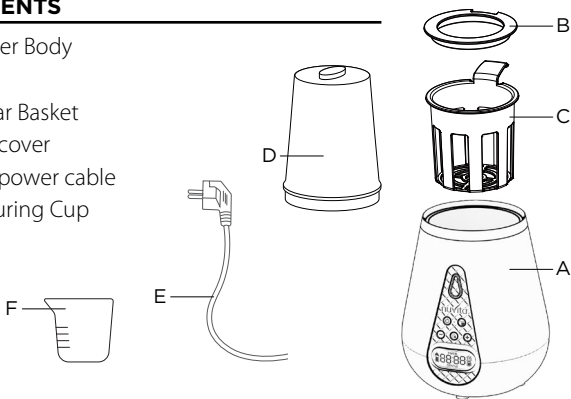
1170

- IT** Manuale di Istruzioni
- ES** Manual de Instrucciones
- EN** Instruction Manual
- FR** Manuel d'Instructions

- DE** Bedienungsanleitung
- PT** Manual de instruções
- GR** Εγχειρίδιο οδηγιών

## BOX CONTENTS

- A. Bottle Warmer Body
- B. Ring
- C. Bottle and Jar Basket
- D. Sterilisation cover
- E. Detachable power cable
- F. Water Measuring Cup



## IMPORTANT SAFETY NOTES

Keep the instruction sheet for future reference:

- Only use the appliance indoors. NEVER use it outdoors.
- Ensure the voltage is compatible with the electricity supply.
- Always add water first before switching the appliance on.
- Use the appliance away from children. Store the appliance in a safe place away from children.
- When finish using the warmer, make sure it is off and pull out plug while storing it dry in a safe place afterwards. Empty the water from the device. Keep it away from children's reach. Note the surface of the heating element is subject to residual heat after each use.
- Do not immerse any fixed or removable parts in water to avoid injury.
- Follow the heating guidelines suggested for child's safety during feeding.
- Do not use any appliance with a damaged part. If the damage is from a new unit, return the unit immediately. The supplied accessories of the bottle warmer should only be use.

## CUSTOMER SERVICE

---

If you are experiencing problems with the Nuvita 1170 digital bottle warmer immediately contact the establishment where the item was purchased.

## CONTROL PANEL

---



On / Off



Start / Timer



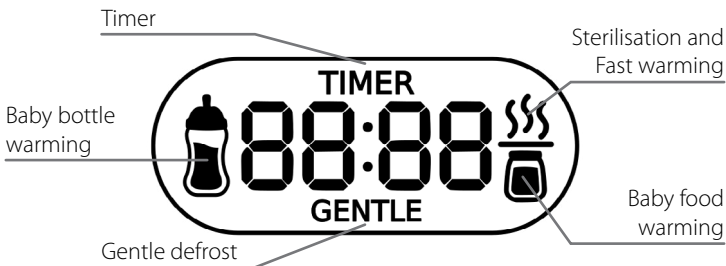
Minus



Menu



Plus



## INDICATOR LIGHT

---

- Light will turn on when device is on and/or a cycle is running.
- Light will blink continuously when a cycle ends.
- Light will blink for 2 seconds when water finishes and device will switch off automatically.

## BEEP SOUND

The “beep” sound can be heard once the in the following:

- Plugging in the device
- Pressing any button
- Once the program/cycle starts the beep can be heard twice
- Once the program/cycle finishes the beep can be heard three times.
- If the water finishes a long beep of 2 seconds will be heard.

## SETTING GUIDE

These instructions are to be used as a guide only in order to operate the product. There are many variables and factors, such as size of the bottle, ambient temperature, and starting temperature of the food which affects the intended performance of this device. It may be necessary to adapt the times indicated in the table. Always test the temperature of food before feeding baby. **The temperatures written in the chart below refer to the starting temperature of the milk.**

### CAUTION

*Check temperature of liquid before feeding it to the baby.*

		FOOD JAR WARMING			
		20°C		5°C	
	START TEMPERATURE	HEAT TIME (MIN:SEC)	RECOMMENDED WATER (ML)	HEAT TIME (MIN:SEC)	RECOMMENDED WATER (ML)
JAR CONTENT					
HOME WITH STERILISER COVER		8:00	70	8:00	70

# POLYPROPYLENE BABY BOTTLE - MILK

		WARMING				FAST WARMING			
GENTLE DEFROST		20°C		5°C		20°C		5°C	
STARTING TEMPERATURE		-5°C		20°C		20°C		5°C	
ENDING TEMPERATURE		20°C		37°C		37°C		37°C	
JAR CONTENT	HEAT TIME (MIN:SEC)	RECOM-MENDED WATER (ML)	HEAT TIME (MIN:SEC)	RECOM-MENDED WATER (ML)	HEAT TIME (MIN:SEC)	RECOM-MENDED WATER (ML)	HEAT TIME (MIN:SEC)	RECOM-MENDED WATER (ML)	
60ml	40	150	6:00	150	1:15(*)	150	3:00	30	
90ml	50		8:00		1:30		3:30		
120ml	50	200	9:00	200	2:30	200	4:00	30	
150ml	50		10:30		2:30		4:30		
180ml	60		12:00		3:00		5:30		
210ml	60		13:30		3:00		6:00		
250ml	70	200	15:00	200	3:00	200	6:30	40	
280ml	70		17:30		3:30		6:30		
300ml	80		20:00		4:00		7:00		
330ml	90		24:00		4:30		7:00		

(\*) 1:15 is the actual time needed, you may set the timer to 1:30

# GLASS BABY BOTTLE - MILK

		GENTLE DEFROST				WARMING				FAST WARMING			
STARTING TEMPERATURE	ENDING TEMPERATURE	-5°C		20°C		20°C		5°C		20°C		5°C	
ENDING TEMPERATURE	STARTING TEMPERATURE	20°C		37°C		37°C		37°C		37°C		37°C	
JAR CONTENT	HEAT TIME (MIN:SEC)	RECOMMENDED WATER (ML)	HEAT TIME (MIN:SEC)	RECOMMENDED WATER (ML)	HEAT TIME (MIN:SEC)	RECOMMENDED WATER (ML)	HEAT TIME (MIN:SEC)	RECOMMENDED WATER (ML)	HEAT TIME (MIN:SEC)	RECOMMENDED WATER (ML)	HEAT TIME (MIN:SEC)	RECOMMENDED WATER (ML)	
60ml	40	150	6:00	150	8:40	150	1:15(*)	150	2:00	30	2:00	30	
90ml	50		8:00		12:00		1:30		2:30				
120ml	50	200	9:00	200	15:00	200	2:10	200	3:00	40	3:00	40	
150ml	50		10:30		17:00		2:10		3:30				
180ml	60	200	12:00	200	19:00	200	2:30	200	4:00	40	4:00	40	
210ml	60		13:30		23:00		2:30		4:30				
250ml	70	200	15:00	200	25:00	200	2:30	200	4:30	40	4:30	40	
280ml	70		17:30		28:00		2:30		5:00				
300ml	80	200	20:00	200	30:00	200	3:00	200	5:00	40	5:00	40	
330ml	90		24:00		35:00		3:20		5:00				

(\*) 1:15 is the actual time needed, you may set the timer to 1:30

## DEVICE SETUP

---

1. Before using the bottle warmer, ensure the mains outlet is of correct voltage.
2. The bottle warmer must be out of reach of children, placed on a stable surface.
3. Plug the cable to a power outlet.
4. Before heating, remove the protective cap and the teat from the bottles and remove the lid from the jars.

### **CAUTION**

- *This device is for home use only and is no way to be use outdoors.*
- *Always ensure to avoid any water over flow once a filled baby bottle is inside.*
- *Always use the bottle warmer with water inside it.*
- *Re-heating food is not recommended.*

## OPERATION

---

Please refer to the SETTING GUIDE section for table of volume and warming times

### **BABY BOTTLE WARMING**

1. Insert the basket and if necessary the adapter ring.
2. Fill the tank with water as indicated. Do not overflow.
3. Place the bottle without the teat and protective cap inside the bottle warmer.
4. Plug the device into a power outlet. Press the on/off button once to turn the unit on. The display will show the bottle icon, digits 0:00 and indicator light will switch on. "Baby Bottle Warming" will be the default function. Digits will start blinking after 1 second to indicate the time can be set by pressing the +/- buttons (30 sec for each press and 1 min with long press up to 40 minutes).  
(If there will be no actions chosen within 30 seconds the bottle warmer will shut off automatically).
5. Once the time has been set, press the START button. When cycle ends, device will beep 3 times before to shifts automatically to the keep warming mode.
6. Switch off the device by pressing the on/off button if the keep warming function is not needed.

### **AUTOMATIC KEEP WARMING MODE**

*At the end of the cycle, indicator light will blink continuously showing the bottle icon and the digits "37". When the temperature goes down by about 3 °C, the device will stop blinking which indicates that the warming feature started again. Keep warming mode will run continuously unless switched off manually or until water finishes*

### **BABY FOOD JAR WARMING**

1. Insert the basket and if necessary the adapter ring.
2. Remove the food jar cover. Place the jar inside the basket and fill the tank with enough water to reach the same level of the food inside the jar. Do not allow the water to enter the jar.
3. Plug the device into a power outlet and switch the device on by pressing the on/off button. To select "Baby Food Warming", press the MENU button once, device will show food jar icon and default digits 10:00 will blink to indicate the time can be set by pressing the +/- buttons (1 min each press or long press for a faster setting up to 20 min).
4. Once the time has been set, press the START button. When cycle ends, device will beep 3 times and switch off automatically.

### **GENTLE DEFROST**

1. Insert the basket and if necessary the adapter ring.
2. Fill the tank with 100ml of water as indicated. Do not overflow.
3. Place the bottle inside the warmer.
4. Plug the device into a power outlet and switch the device on by pressing the on/off button. To select "Gentle Defrost", press the MENU button twice, device will show GENTLE icon and default digits 00:30 \* will blink to indicate the time can be set by pressing the +/- buttons (10 minutes for each press or 30 minutes long press up to 3 hours)
5. Once the time has been set, press the START button. When cycle ends, device will beep 3 times and switch off automatically.
6. To reach the feeding temperature of 37°C start the "Baby Bottle Warming" function.



## **NOTE**

*Digits on the display for this function will change from MIN:SEC to HRS:MIN, i.e. 30 minutes will show 00:30 and 3 hours will show 3:00.*

## **STERILISING**

1. Fill the tank with 100ml of water.
2. Insert the bottle parts / pacifiers or similar items directly inside the tank.
3. Put the sterilization cover.
4. Plug the device into a power outlet and switch the device on by pressing the on/off button. To select "Sterilising and Fast Warming", press the MENU button three times, device will show the steam icon and default digits 8:00 will blink.
5. There's no need to adjust the time for this function, press the START button. When cycle ends, device will beep 3 times and switch off automatically.

## **CAUTION**

*During sterilization, the lid heats up considerably. Avoid touching the lid with your hands and use the handle on the top of the lid to remove it from the bottle warmer. During sterilization, very hot steam comes out of the slots on the top of the lid. Avoid approaching the lid with your hands and face, to avoid being reached by the jet of steam and getting burns.*

## **FAST WARMING**

1. Insert the basket and if necessary the adapter ring.
2. Fill the tank with water as indicated. Do not overflow.
3. Place the bottle without the teat and protective cap inside the bottle warmer.
4. Plug the device into a power outlet and switch the device on by pressing the on/off button. To select "Sterilising and Fast Warming", press the MENU button three times, device will show the steam icon and default digits 8:00 will blink to indicate the time can be set by pressing the +/- buttons (30 sec for each press or 1 minute for long press up to 20 minutes.)
5. Once the time has been set, press the START button. When cycle ends, device will beep 3 times and switch off automatically.

## **NOTE**

*When the device is on and on "Sterilising and Fast Warming", pressing the MENU button again, will go back to "Baby Bottle Warming". When cycle is finished take out the baby bottle to avoid the milk temperature to increase further.*

## **TIMER FUNCTION**

---

Timer allows to delay the start of the selected warming function

- After selecting any of the previous functions, at the step 5, instead of short pressing the START button, keep the button pressed for 2 sec. Display will blink and will eventually show the TIMER icon.
- Press the button +/- to set the timer at 15 minutes interval. Long press will set the time at 1 hour interval up to 12 hours.
- Once the timer is set, press the START button. Light will switch off until the countdown finishes and the function will automatically start with a beep sound.

## **NOTE**

*Timer can still be adjusted during the countdown.*

## **GENERAL NOTES**

---

### **MEMORY**

This device is equipped with a memory function. If the device is turned off and on again, Function 1 will remember the last time set. The function remains stored for 12 hours when the device is turned off.

### **CONSECUTIVE CYCLES**

Change the water between one use and the next.

### **BREASTMILK NUTRIENTS FRIENDLY**

This device has been designed to gently warm up the milk and prevent overheating in order to retain the breastmilk's nutrients.

## CLEANING AND MAINTENANCE

- If possible, use distilled water or natural bottled water. Alternatively, when not possible, use tap water
- Unplug the appliance before cleaning it.
- For daily cleaning of the appliance, use a damp cloth. Do not use abrasive cleaners or other cleaning products.
- In the presence of limestone, descale the device with white alcohol vinegar or citric acid.
- Mix 50 ml of white alcohol vinegar with 50 ml of plain water or dissolve a dose of citric acid in 200 ml of cold water. Pour the solution into the appliance. Leave the solution to act until the limestone is completely dissolved; do not use the device during this period. At the end of the cleaning, remove the liquid, rinse the device thoroughly and dry with a soft cloth.
- Repeat the cleaning operation in the presence of limestone or whenever the product performance appears less efficient.

## WARRANTY - TERMS AND CONDITIONS

---

This product benefits of a warranty of 24 months on material and manufacturing defects, starting from the date of purchase (see sales slip). The warranty of 24 months does not include damages caused by the usual use of parties identified as "consumable" (e.g., batteries, brush heads or parts subject to usury). The legal guarantee of 24 months is void if: **1.** The product has undergone aesthetic damage due to improper use not in accordance with instructions in the manual. **2.** This product has been modified and/or tampered with. **3.** The cause of the failure was due to poor maintenance of the individual components and/or accessories and/or supplies (e.g. oxidation and/or scaling due to the retention of water or other liquids, sediment blocking the sensor, leak of corrosive liquid from batteries).The following is excluded from the legal guarantee of 24 months: **1.** Costs related to replacements and/or repair of parts subject to wear or costs for ordinary maintenance of the product. **2.** The costs and risks involved in transporting the product to and from the store where you purchased or otherwise authorized collection centre to receive the products under warranty. **3.** Damage caused by or resulting from improper installation or improper use not in accordance with the directions in the instruction manual. **4.** Damage due to natural disasters, accidental events or adverse conditions not compatible with the product. **5.** Defects that have a negligible effect on product performance. The manufacturer, distributor and all the parties involved in the sale do not assume any liability for losses and economic damage from any malfunction of the product. In accordance with current regulations the manufacturer, distributor and all the parties involved in the sale are not responding in any case for damages, including direct, indirect ones, loss of net income, loss of savings and additional damage and other details consequences going beyond the damage caused by the breach of warranty, contract, strict liability, wrongdoing or due to other causes, resulting from the use or inability to use the product and/or paper and electronic documents, including the lack of service. For further information on the help service visit the website [www.nuvitababy.com](http://www.nuvitababy.com)

Uso domestico / Uso en casa / Home use / Utilisation au domicile / Hausgebrauch / Utilização em casa /

Οικιακή χρήση :

220V-240V / 400W

CE-EMC Certificate



Il prodotto e il design dello scaldabiberon digitale Nuvita 1170 sono marchi commerciali di

El calienta biberones digital Nuvita 1170 y su diseño son una marca registrada de

The Nuvita 1170 Digital Bottle Warmer product and design are trademark by

Ce Chauffe-biberon Numérique Nuvita 1170 a été créé par

Nuvita 1170 Digitaler Flaschenwärmer - Produkt und Design sind Markenzeichen von

O produto Aquecedor de Biberões Digital Nuvita 1170 e o seu respetivo design são marcas registadas pela

Το προϊόν και ο σχεδιασμός του Nuvita 1170 Ψηφιακός θερμαντήρας μπιμπερό αποτελούν καταχωρημένα

εμπορικά σήματα της εταιρείας

Anteprima Brands International,

1, St. Luke's Street, Gwardamangia,

PTA1020 Pieta, Malta, Europe.

Fabbricato in Cina / Fabricado en China / Made in China / Fabriqué en Chine / Made in China

Fabricado na China / Κατασκευάζεται στην Κίνα

[www.nuvitababy.com](http://www.nuvitababy.com)

