

IMPORTANT!

READ THE INSTRUCTIONS CAREFULLY AND KEEP FOR FUTURE REFERENCE.

WARNING

Read carefully and keep for future reference. Your child's safety may be compromised if you do not correctly follow the instructions as shown in the manual.

- Never leave your child alone and unsupervised.
- Read the instruction manual before using and setting up the bed rail to prevent any danger. If not operated according to instruction, it may be dangerous for children.
- This product is suitable for children from 18 months to 5 years of age.
- Use this product when your child is able to climb in and out of bed unaided.
- Do not use the safety bed rail if any components are damaged or missing.
- Do not use the rail on the top bed of set of bunk beds.
- This product is only provided for domestic use. It is not suitable for non-domestic environment. You should not use this bed rail as a substitute for a cot because it cannot provide the same level of safety as a cot.
- This bed rail is not suitable for mattresses with a thickness of more than 32 cm. Never use without the fixing devices attached to the bed.
- This product cannot be use for elderly or infirm people.
- Additional and replacement parts should be obtained only from the manufacturer. The bed rail should not be used on a sleeping surface that is more than 600mm from the floor.
- Never let other children handle or play with the safety rail.
- Once fitted in place, check with your hands to be sure that is properly fitted.
- Check periodically the bed guard for its general condition with particular reference to the security of any locking mechanism and or hinged that are used on the product.
- Discontinue using the product if there is any damage or if any problems arise during use.
- Do not use if you are not sure that bed rail is fixed in place and securely attached to the bed.
- Washable with warm water. Do not apply chemical materials to products. You can wash the cover in the washing machine.
- This product complies with **BS 7972:2001 + A 1:2009 standards.**

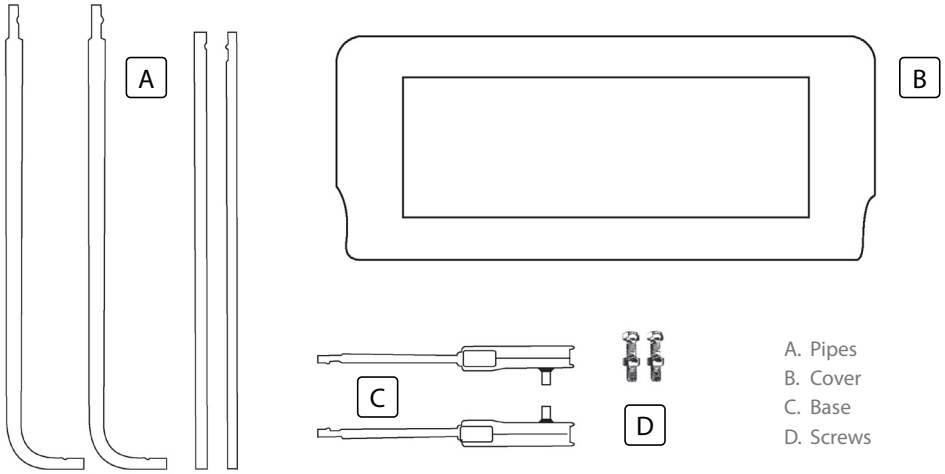
MAINTENANCE

Check the state of the components periodically and immediately replace any damaged parts.

CLEANING

Do not get the main frame wet; wipe over it using a damp cloth. Clean the product with a sponge or damp cloth, using a mild detergent.
Do not use harsh detergents or bleach.

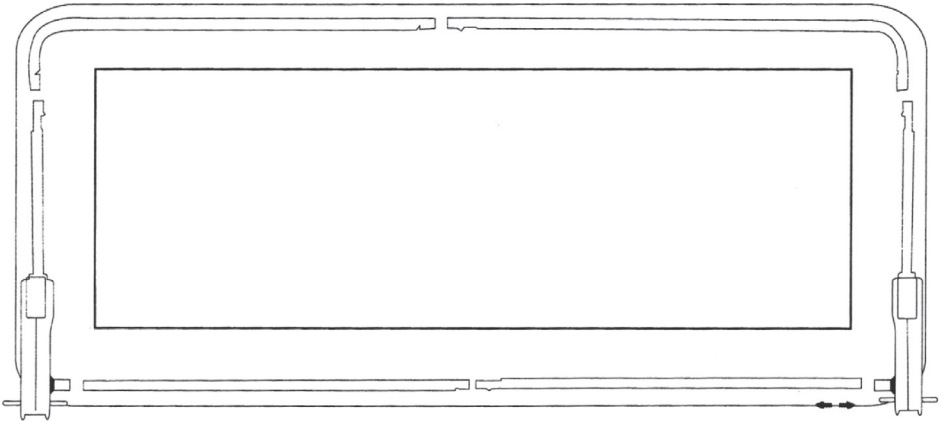
PARTS



INSTALLATION

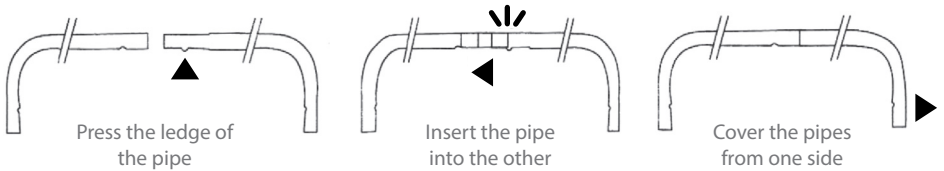
1

Lay out neatly the cover.



2

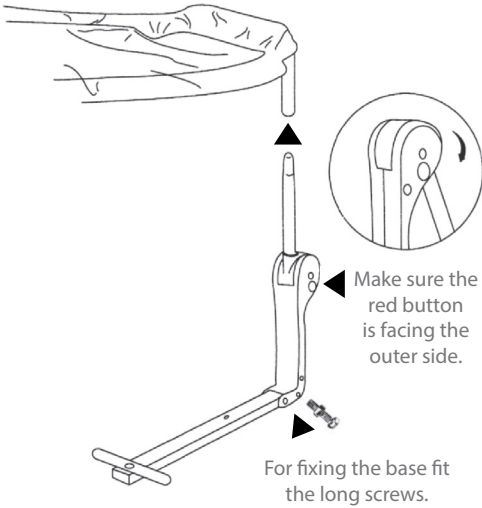
Mounting the top metal pipes and covering.



INSTALLATION

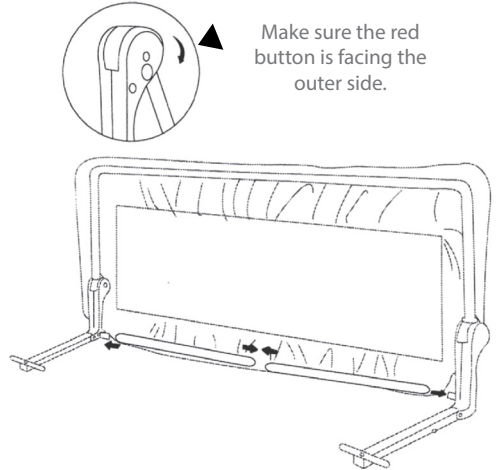
3

Connecting top pipes with base part.



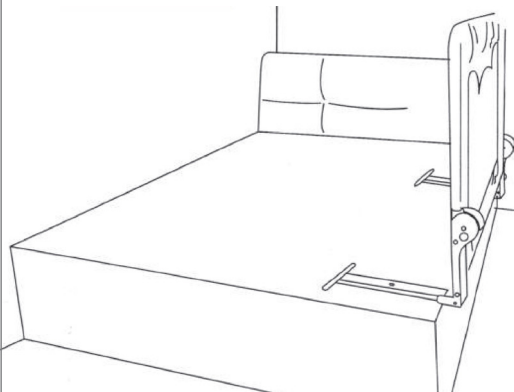
4

When installing the bottom metal pipes place tilting 180 degrees' plastic legs in the position just like in the pictures and insert pipes into their slots.

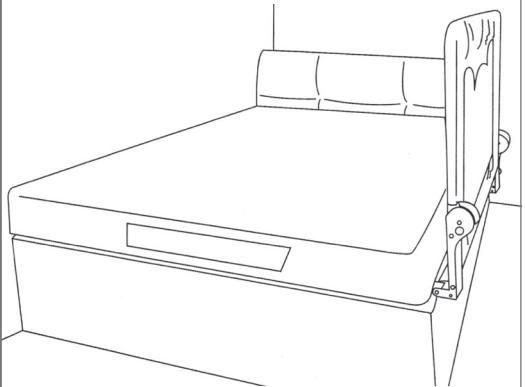


USAGE

Lift mattress, set the bed rail to the edge of the bed, put the mattress on the bed again.

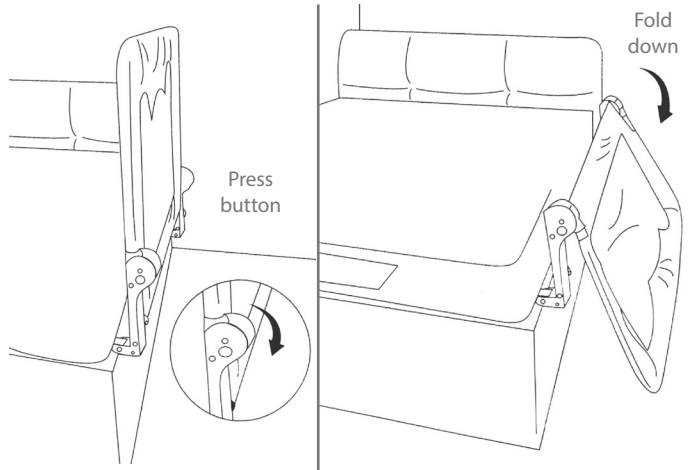


When fitted, there should be no gap between the mattress and the bed rail, the side of the mattress shall always touch the side of the bed rail.



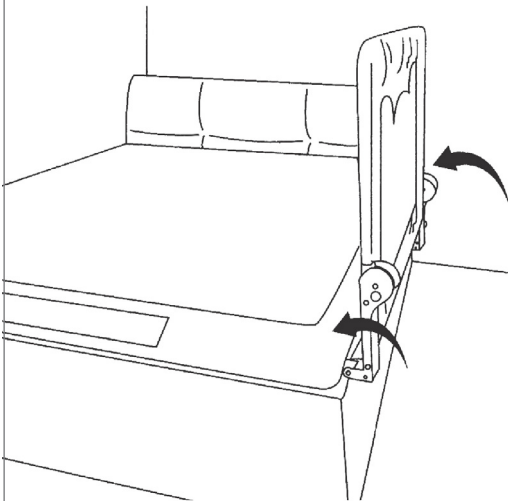
USAGE

- Pushing the middle buttons, you can easily fold down the bed rail wings.
- Once fitted in its place, check with your hands to be sure that it is properly fitted.
- Check periodically the bed rail for its general condition with in particular to the security of any locking mechanism and/or the hinges that are used on the products.



WARNING

To prevent the risk of strangulation it is essential to ensure that when the bed rail is fitted into position, there is a gap of at least 250 mm (10 in) between each end of the bed and the end of the bed rail.



SERVICE: Every care has been taken in the realisation of products, accessories provided in the box and documentation provided, so in case of problems it is advisable to repeat the operations by faithfully following the instructions in the manual. For further information on the help service visit the website: www.nuvitababy.com

WARRANTY - TERMS & CONDITIONS: In accordance with current regulations, the manufacturer provides the consumer with a legal guarantee of 24 months starting from the date stated in the receipt. Excluded from the legal guarantee of 24 months are the parties identified as "consumable" (e.g., batteries, brush heads or parts subject to wear). The legal guarantee of 24 months is void if: 1). The product has undergone aesthetic damage due to improper use not in accordance with instructions in the manual. 2). This product has been modified and/or tampered with. 3). The cause of the failure was due to poor maintenance of the individual components and/or accessories and/or supplies (e.g. oxidation and/or scaling due to the retention of water or other liquids, sediment blocking the sensor, leak of corrosive liquid from batteries.) The following is excluded from the legal guarantee of 24 months: 1). Costs related to replacements and / or repair of parts subject to wear or costs for ordinary maintenance of the product. 2). The costs and risks involved in transporting the product to and from the store where you purchased or otherwise authorized collection centre to receive the products under warranty. 3). Damage caused by or resulting from improper installation or improper use not in accordance with the directions in the instruction manual. 4). Damage due to natural disasters, accidental events or adverse conditions not compatible with the product. 5). Defects that have a negligible effect on product performance. The manufacturer, distributor and all the parties involved in the sale do not assume any liability for losses and economic damage from any malfunction of the product. In accordance with current regulations the manufacturer, distributor and all the parties involved in the sale are not responding in any case for damages, including direct, indirect ones, loss of net income, loss of savings and additional damage and other details consequences going beyond the damage caused by the breach of warranty, contract, strict liability, wrongdoing or due to other causes, resulting from the use or inability to use the product and / or paper and electronic documents, including the lack of service.



www.nuvitababy.com
info@nuvitababy.com

IMPORTED / DISTRIBUTED BY

Anteprima Brands International Ltd
1, Ferris Bldg. St.Luke Street PTA1020 Gwardamangia
Malta - Europe

All rights reserved
7530_22_Gen_v1.0.0

